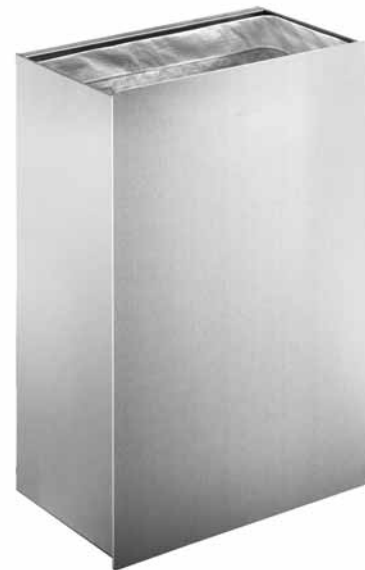


320 x 460 x 185 mm
Capacity approx. 23 l

- Waste bin in robust, germ-reducing and easy-care stainless steel (AISI 304).
- Modular all-stainless steel housing; consisting of a mounting back panel, body and a 2 mm thick, straight front panel, visible surfaces satin finished and brushed. Further available surfaces: see below.
- Equipped with removable fabric stand bag in polypropylene, washable. Capacity approx. 23 l.
- Use of garbage bags possible due to internal retaining tabs.
- Mounting: Wall mounting of the back panel with 4 screws and an optional anti-theft hole, then screwing the body with front panel to the back panel.
- Delivery includes fixing material.
- Weight, including single package: 6.8 kg

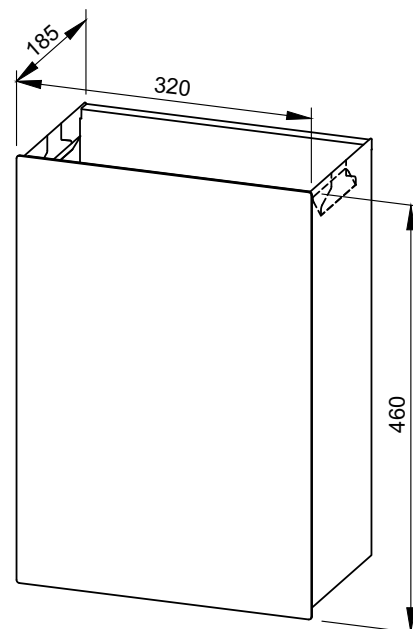


Suggested text for specifications:

Waste bin in stainless steel (AISI 304) for surface mounting. Modular all-stainless steel housing; consisting of a mounting back panel, body and a 2 mm thick, straight front panel, visible surfaces satin finished and brushed. Equipped with removable fabric stand bag in polypropylene, washable. Capacity approx. 23 l. Delivery includes fixing material.

Dimensions: 320 x 460 x 185 mm

Article No. LN126



Available surfaces	ID No.
satin finished (standard)	827 162
highly polished	831 162
(coloured) plastic powder-coating	828 162