

# NAPPY CHANGER WP2215



920 x 757 x 155 mm

horizontal version

- Nappy changer in robust, germ-reducing and easy-care stainless steel (AISI 304).
- All-stainless steel housing; all corners fully welded, visible surfaces satin finished and brushed, handle strip with glossy surface.  
Further available surfaces: see below.
- Easy to open and close with maintenance free lifting mechanism supported by gas struts.
- Table surface in grey polypropylene, molded, without any visible fixtures.
- Intended for use with paper overlays.
- TÜV-tested and certified according to  
EN 12221-1:2013  
EN 12221-2:2013  
AfPS GS 2019:01 PAK
- Approved for public areas.  
Load capacity up to 25 kg / age up to 36 months.
- Wear parts can be replaced as modules.
- Mounting: With four screws through fixing holes in the back wall.
- Delivery includes fixing material.
- Weight, including single package: 31.9 kg

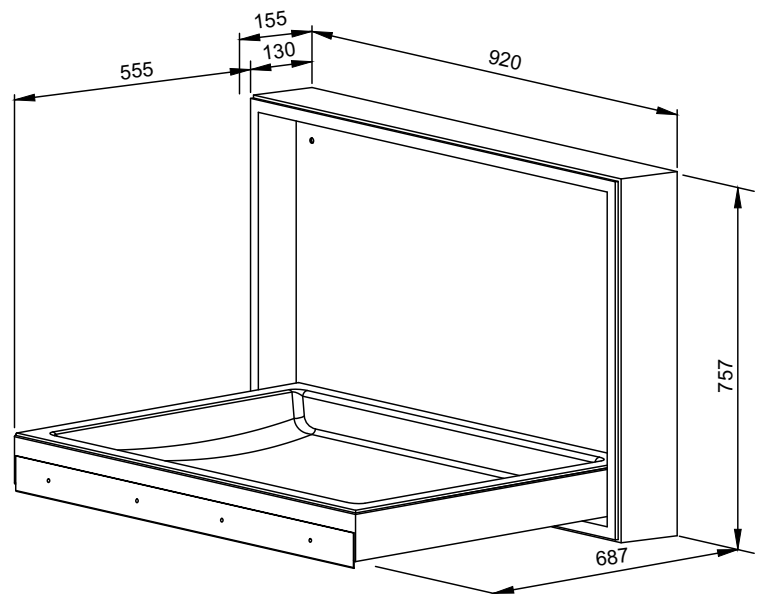


## Suggested text for specifications:

Nappy changer in stainless steel (AISI 304) for surface mounting. All-stainless steel housing; all corners fully welded, visible surfaces satin finished and brushed, handle strip with glossy surface. Table surface molded in polypropylene to fold out with lifting mechanism supported by gas struts. TÜV-tested and certified. Approved for public areas. Delivery includes fixing material.

Dimensions: 920 x 757 x 155 mm

Article No. WP2215



Available surfaces	ID No.
satin finished (standard)	727 887
(coloured) plastic powder-coating	728 887

## Ernst Wagner GmbH & Co. KG

Ernst-Abbe-Straße 21 · D-72770 Reutlingen · Tel.: +49712151539-0 · Fax: -20  
info@wagner-ewar.de · www.wagner-ewar.de

WAGNER  
EWAR